

FNC Programmable MT Analog Output

Current / voltage output



FNC 50S MT Programmable Analog Output

Ø50 Flange



Features

- Programmable measuring range
- Industry 50 mm end hollow shaft version
- Robust mechanical and electrical construction
- Protection up to IP67
- 0-10V voltage / 4-20mA current output

Output Options :

Programmable;

- 0-10VDC Voltage
- 0-5VDC Voltage
- 4-20mA current

Technical data - electrical ratings

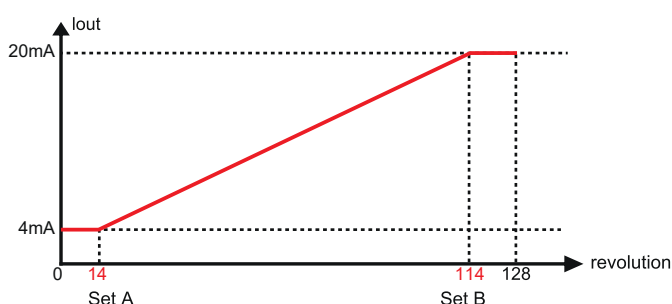
| | |
|-----------------------|--|
| Voltage supply | 10-30VDC |
| Protection: | Output short circuit protection. Reverse polarity protection |
| Consumption w/o load | ≤60 mA (24 VDC) |
| Output signals | 0-10VDC Voltage output 0-5VDC Voltage output 4-20mA current output |
| Measuring range | Total DAC resolution (ST + MT) : 16 bit Up to 65.536 programmable If MT selected 4 bit, ST resolution : 12 bit If MT selected 6 bit, ST resolution : 10 bit |
| Interference immunity | DIN EN 61000-6-2 |
| Emitted interference | DIN EN 61000-6-4 |
| Approval | CE |

Technical data - mechanical design

| | |
|------------------------------|--|
| Dimensions (flange) | ø50 mm |
| Shaft loading | ≤140 N axial ≤240 N radial |
| Protection DIN EN 60529 | IP54, IP65 |
| Operating speed | ≤10000 rpm |
| Starting torque | ≤0.025 Nm (IP 65) |
| Materials | Housing: Aluminium Flange: Aluminium Shaft : Stainless steel |
| Shaft/Hollow shaft diameter: | 6, 8, 10, 12 mm (other diameters on request) |
| Bearings lifetime: | 2x10 ⁹ rev. at 100% of full rated shaft load (minimum) |
| Operating temperature | -20...+85 °C |
| Storage temperature | -30 °C up to +90 °C |
| Weight approx. | 250 g |

Pulse Diagram

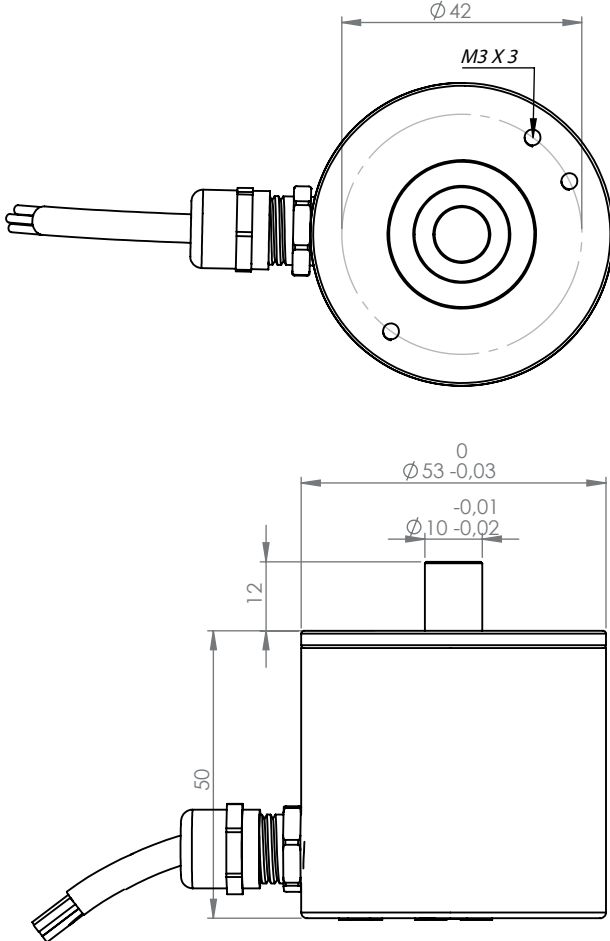
Example: 128 revolution current output.



Ø50 Flange

FNC 50S MT Programmable Analog Output

Mechanical Dimensions



Cable Wiring

| Function | Color | Renk | Explanation |
|----------|-------|---------|----------------|
| +VB | Brown | Kahve | Supply voltage |
| GND | White | Beyaz | Ground |
| V | Green | Yeşil | Voltage output |
| A | Red | Kırmızı | Current output |

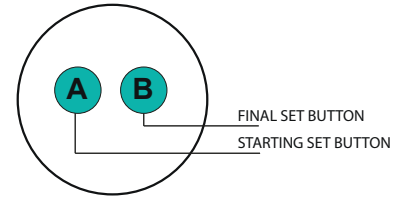
Connector Wiring

| Connector Type | Analog Output | +VDC | GND | SET1 | SET2 |
|----------------|---------------|------|-----|------|------|
| CRM1205 | 1 | 2 | 3 | 4 | 5 |

Teach Procedure

Teach Procedure 1:
Press A and B button for 10 sec.
Leds will flash.
At start point press A button

Teach Procedure 2:
Turn shaft CW to final point.
Press B button at final point.
Teach procedure is done.



For fabrication settings press A and B button for 30 sec.

Encoder Part Number

