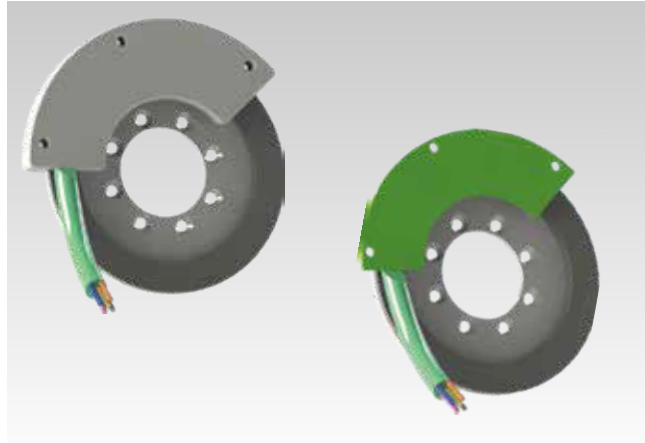


Bearingless encoders

Resolution 8 to 18 bit for Absolute Version
SSI / BISS Interface



FNC MAR5535 Series, Absolute Axial



Features

- Off - Axis absolute rotary encoder
- Robust mechanical and electrical construction
- Corrosion resistant magnetic ring
- Outer diameter 55 mm
- Inner diameter 35 mm
- Up to 18 bit for absolute rotary encoder
- <300 kHz frequency
- Magnetic system

Technical data - electrical ratings

Voltage supply	4.75VDC to 5.5VDC
Protection:	Output short circuit protection. Reverse polarity protection
Consumption w/o load	≤60 mA
Output circuit	Linedriver/RS422
EMC Standars	EN 61000-6-2 / EN 61000-6-4
Approval	CE

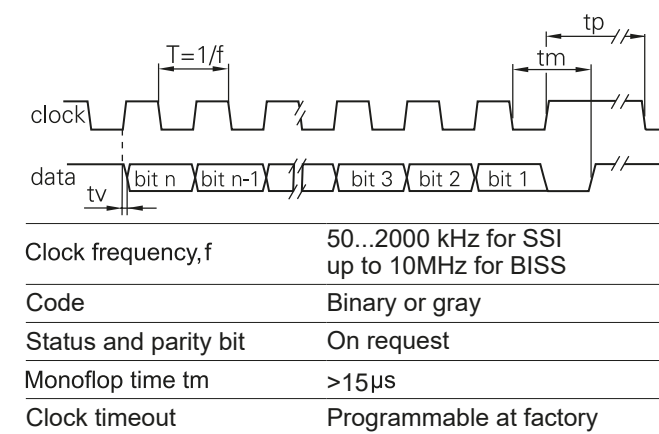
Technical data - mechanical design

Dimensions (ring)	ø55 mm
Protection DIN EN 60529	IP54, IP65
Operating speed	≤10000 rpm
Matetials	Ring: Aluminum
Operating / Storage temperature	-20...+85 °C / -30°C ...+90°C
Weight approx.	200 g

Cable Wiring

Function	Color
+VB	Brown
GND	White
Clock+	Blue
Clock-	Blue-black
Data+	Orange
Data-	Orange-black

Pulse Diagram for Absolute Version



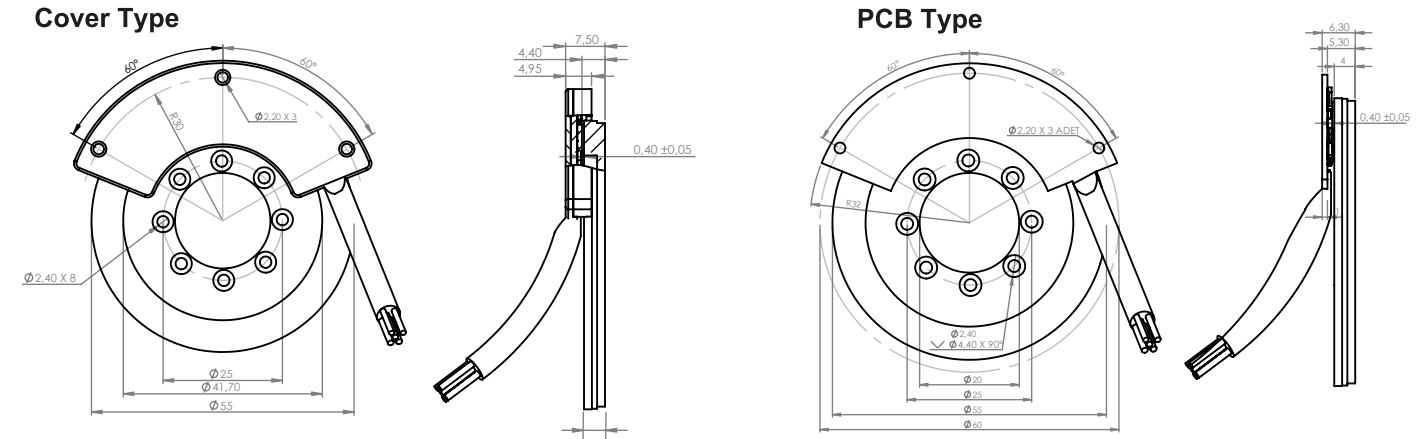
Bearingless encoders

Mechanical Dimensions
Cable/Connector Wiring, Part Number

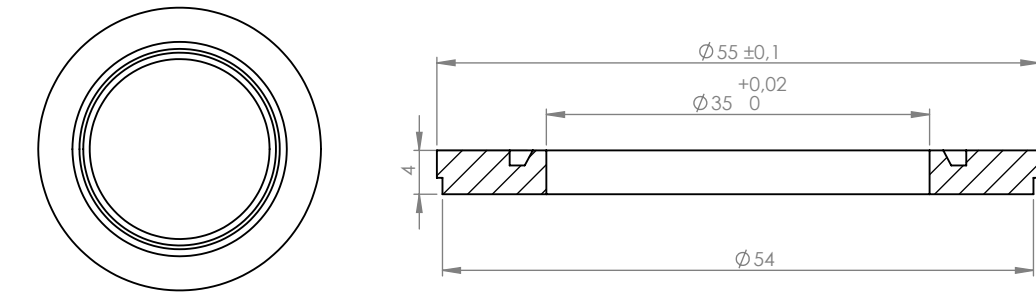


FNC MAR5535 Series, Absolute Axial

Mechanical Dimensions



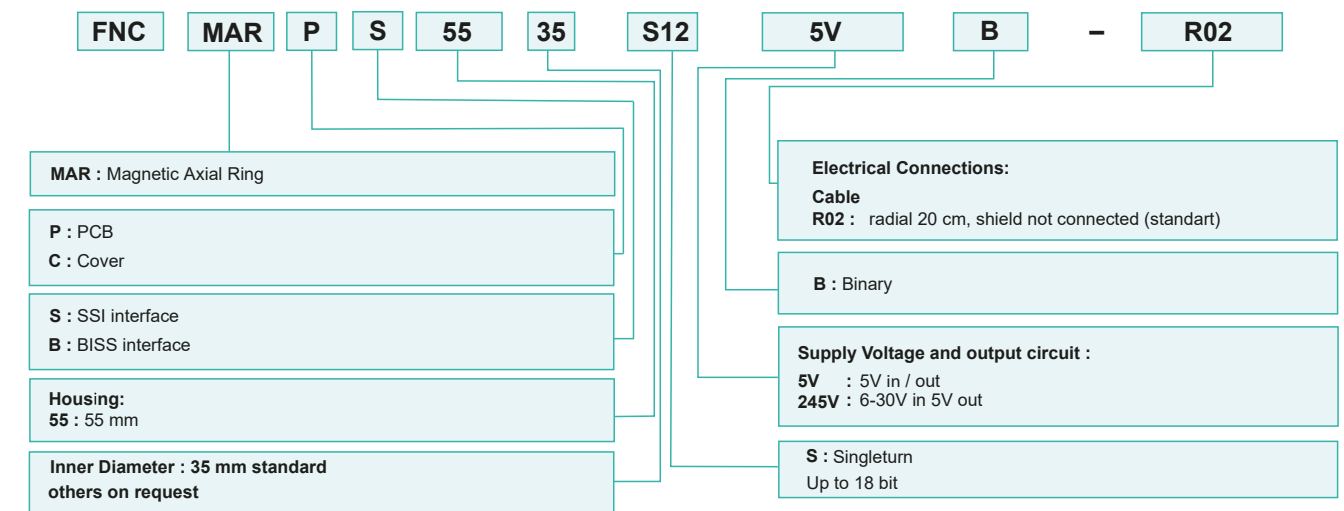
Ring Dimensions



Magnetic Ring Part Number : **FNC MAR16435**

P.S. When the magnet and pcb are positioned correctly, the green led lights up constantly. The red led indicates errors received (distance, wrong positioned magnet etc.)

Encoder Part Number for Absolute Version



Magnetic Ring Part Number

