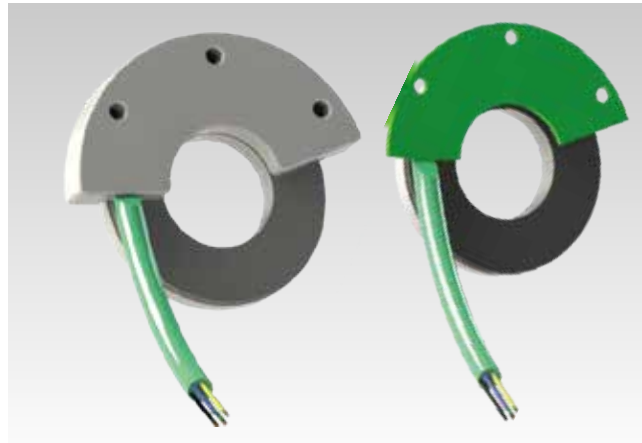


Bearingless encoders

Resolution 1 ...65536 for Incremental Version



FNC MAR3015 Series, Incremental Axial



Features

- Off - Axis Incremental rotary encoder
- Robust mechanical and electrical construction
- Corrosion resistant magnetic ring
- Outer diameter 30 mm
- Inner diameter 15mm
- Up to 65.536 PPR max. for incremental rotary encoder
- <300 kHz frequency
- Magnetic system

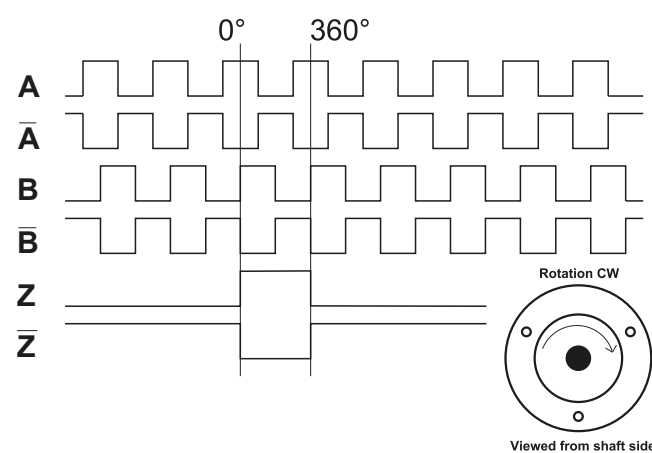
Technical data - electrical ratings

Voltage supply	4.75VDC to 5.5VDC
Protection:	Output short circuit protection. Reverse polarity protection
Consumption w/o load	≤60 mA
Output circuit	Linedriver/RS422 Push-pull short-circuit proof
EMC Standars	EN 61000-6-2 / EN 61000-6-4
Approval	CE

Technical data - mechanical design

Dimensions (ring)	ø30 mm
Protection DIN EN 60529	IP54, IP65
Operating speed	≤10000 rpm
Matetials	Ring: Aluminum
Operating / Storage temperature	-20...+85 °C / -30°C ...+90°C
Weight approx.	200 g

Pulse Diagram for Incremental Version



Cable Wiring

Function	Color
+VB	Brown
GND	White
A	Green
A'	Red
B	Yellow
B'	Pink
Z	Gray
Z'	Blue

Bearingless encoders

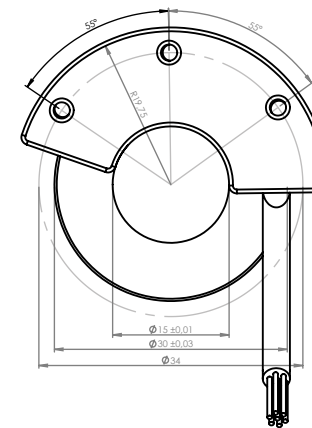
Mechanical Dimensions
Cable/Connector Wiring, Part Number



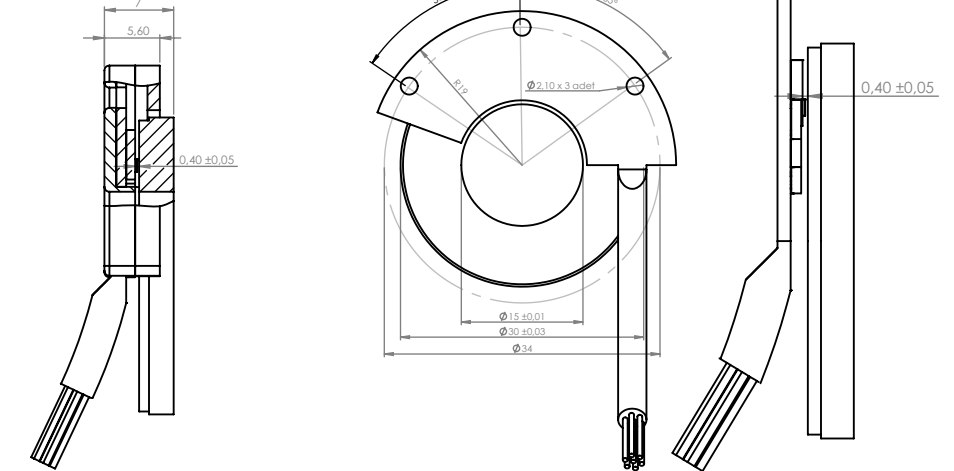
FNC MAR3015 Series, Incremental Axial

Mechanical Dimensions

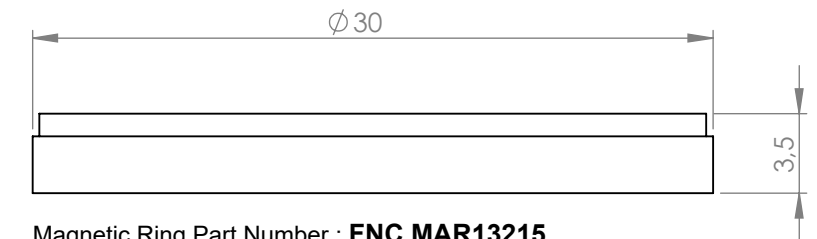
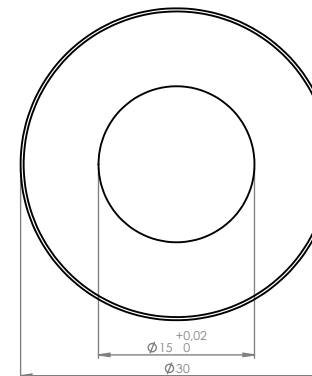
Cover Type



PCB Type



Ring Dimensions



Magnetic Ring Part Number : **FNC MAR13215**

Encoder Part Number

FNC **MAR** **P** **30** **6** **5V** **1024** - **R02**

MAR : Magnetic Axial Ring

P : PCB
C : Cover

Housing:
30 : 30 mm

Output Channels
1: A 4: AB+A' B'
2: AB 6: ABZ+A' B' Z'
3: ABZ

Electrical Connections:

R02 : radial 20 cm, shield not connected (standart)
M : Molex 501568-1107 connector *(mating with Molex 501330-1100)

PPR Options :

up to 65.536 any ppr

Supply Voltage and output circuit :

5V : 5V in / out
245V : 6-30V in 5V out
30V : 6-30V in / out

Magnetic Ring Part Number

FNC **MAR** **1** **32** **15**