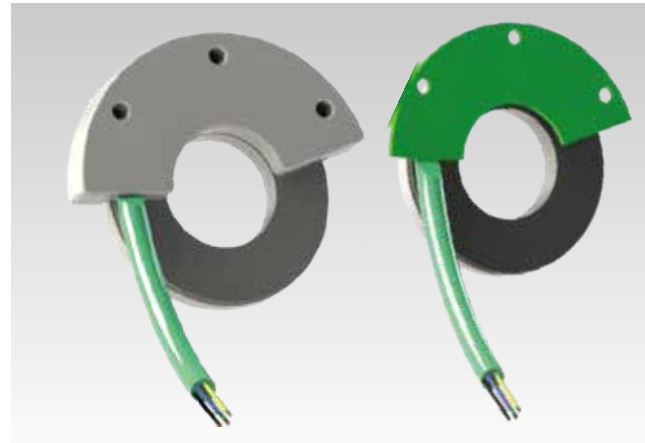


Bearingless encoders

Resolution 8 to 18 bit for Absolute Version
SSI / BISS Interface



FNC MAR3015 Series, Absolute Axial



Features

- Off - Axis absolute rotary encoder
- Robust mechanical and electrical construction
- Corrosion resistant magnetic ring
- Outer diameter 30 mm
- Inner diameter 15mm
- Up to 18 bit for absolute rotary encoder
- <300 kHz frequency
- Magnetic system

Technical data - electrical ratings

Voltage supply	4.75VDC to 5.5VDC
Protection:	Output short circuit protection. Reverse polarity protection
Consumption w/o load	≤60 mA
Output circuit	Linedriver/RS422
EMC Standars	EN 61000-6-2 / EN 61000-6-4
Approval	CE

Technical data - mechanical design

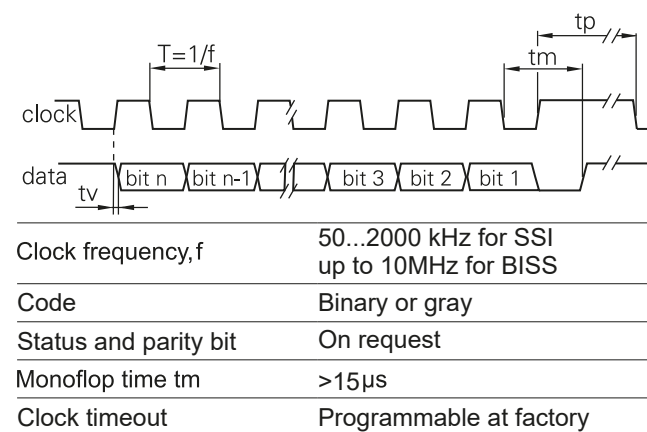
Dimensions (ring)	ø30 mm
Protection DIN EN 60529	IP54, IP65
Operating speed	≤10000 rpm
Matetials	Ring: Aluminum
Operating / Storage temperature	-20...+85 °C / -30°C ...+90°C
Weight approx.	200 g

Cable Wiring

Function Color

+VB	● Brown
GND	○ White
Clock+	● Blue
Clock-	● Blue-black
Data+	● Orange
Data-	● Orange-black

Pulse Diagram for Absolute Version



Bearingless encoders

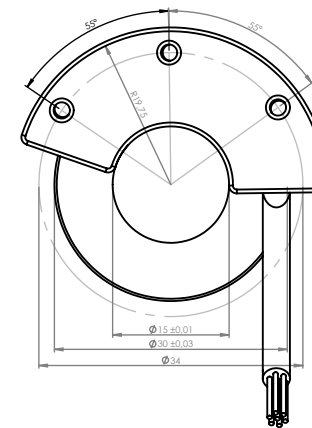
Mechanical Dimensions
Cable/Connector Wiring, Part Number



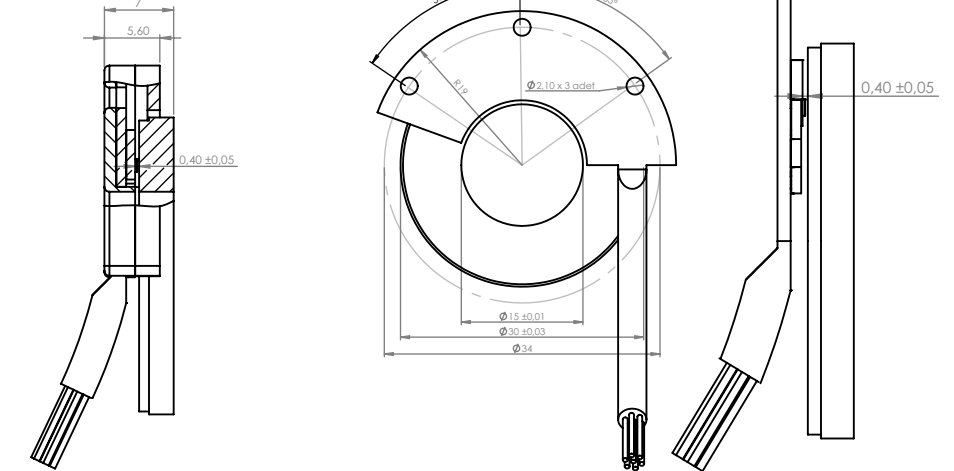
FNC MAR3015 Series, Absolute Axial

Mechanical Dimensions

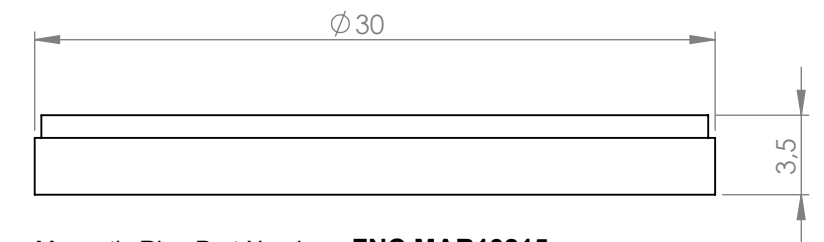
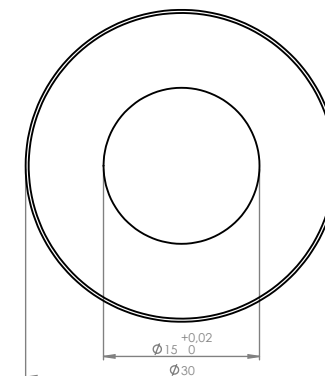
Cover Type



PCB Type

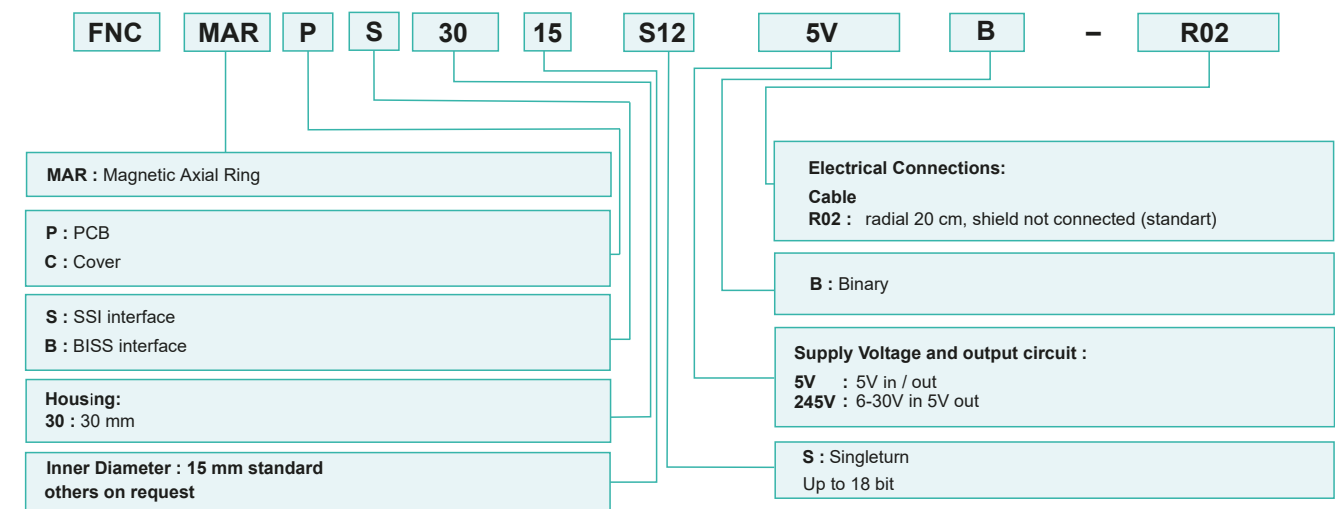


Ring Dimensions



Magnetic Ring Part Number : **FNC MAR13215**

Encoder Part Number for Absolute Version



Magnetic Ring Part Number

FNC MAR 1 32 15