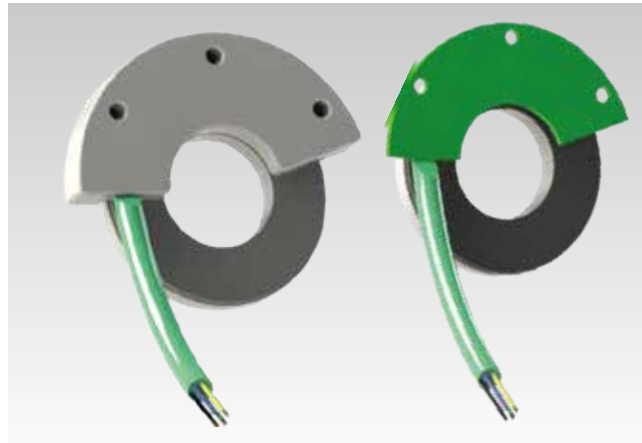


Bearingless encoders

Resolution 1 ...65536 for Incremental Version



FNC MAR3015 Series, Incremental Axial



Features

- Off - Axis Incremental rotary encoder
- Robust mechanical and electrical construction
- Corrosion resistant magnetic ring
- Outer diameter 30 mm
- Inner diameter 15mm
- Up to 65.536 PPR max. for incremental rotary encoder
- <300 kHz frequency
- Magnetic system

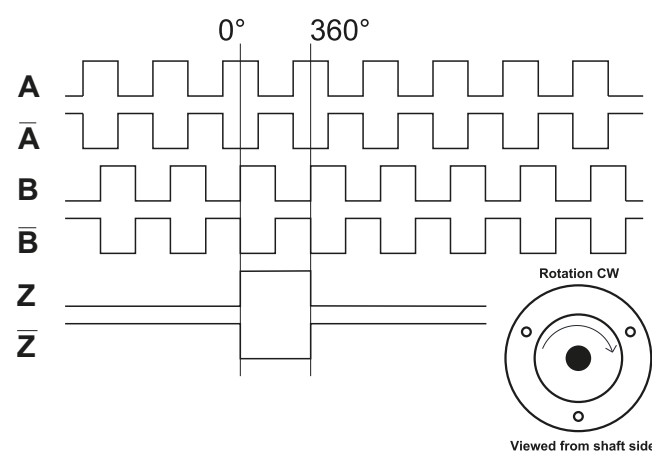
Technical data - electrical ratings

| | |
|----------------------|---|
| Voltage supply | 4.75VDC to 5.5VDC |
| Protection: | Output short circuit protection. Reverse polarity protection |
| Consumption w/o load | ≤60 mA |
| Output circuit | Linedriver/RS422 Push-pull short-circuit proof |
| EMC Standars | EN 61000-6-2 / EN 61000-6-4 |
| Approval | CE |

Technical data - mechanical design

| | |
|---------------------------------|-------------------------------|
| Dimensions (ring) | ø30 mm |
| Protection DIN EN 60529 | IP54, IP65 |
| Operating speed | ≤10000 rpm |
| Matetials | Ring: Aluminum |
| Operating / Storage temperature | -20...+85 °C / -30°C ...+90°C |
| Weight approx. | 200 g |

Pulse Diagram for Incremental Version



Cable Wiring

| Function | Color |
|----------|--------|
| +VB | Brown |
| GND | White |
| A | Green |
| A' | Red |
| B | Yellow |
| B' | Pink |
| Z | Gray |
| Z' | Blue |

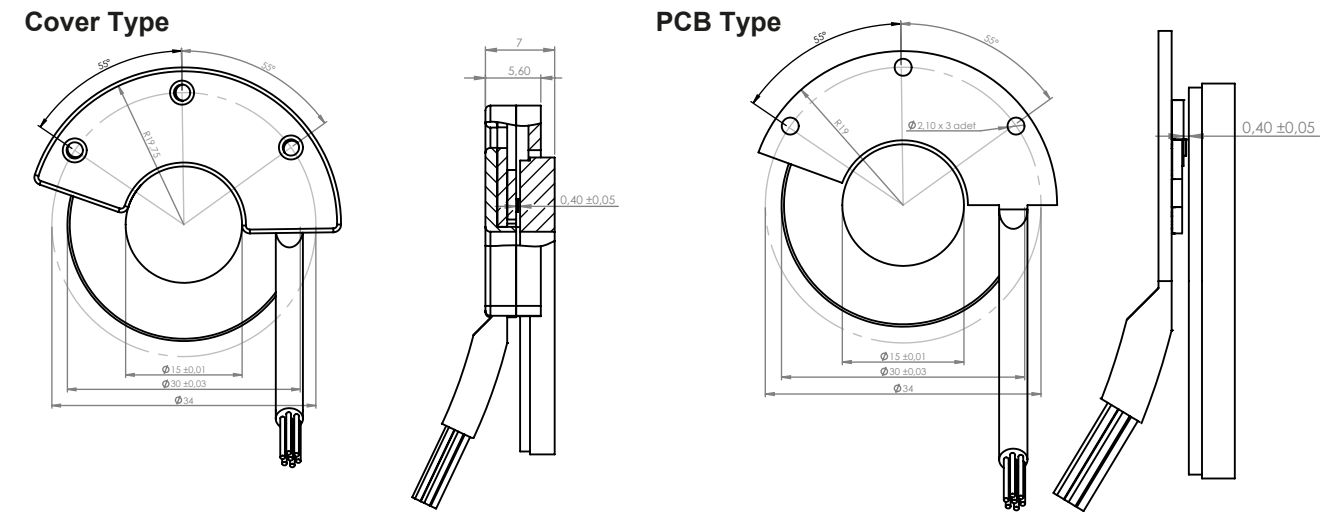
Bearingless encoders

Mechanical Dimensions
Cable/Connector Wiring, Part Number

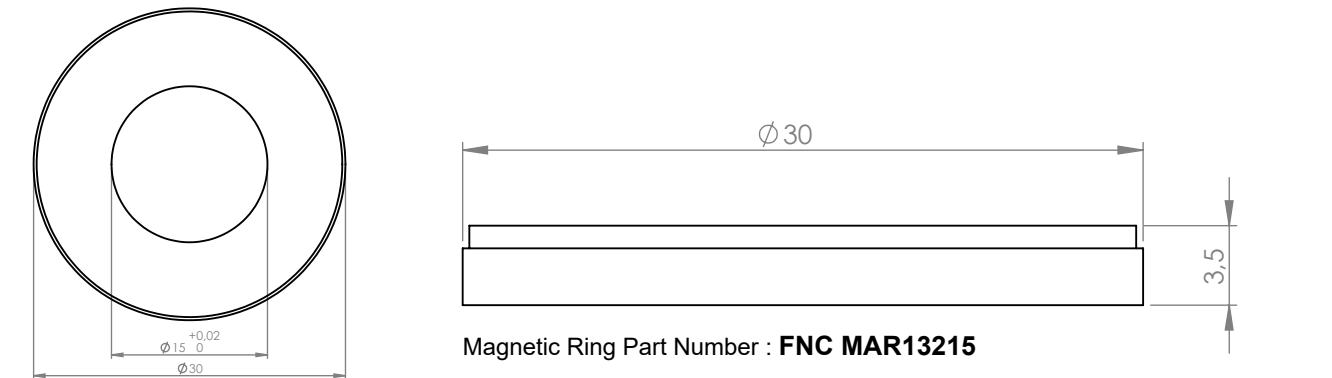


FNC MAR3015 Series, Incremental Axial

Mechanical Dimensions



Ring Dimensions



Encoder Part Number

FNC **MAR** **P** **30** **15** **6** **5V** **1024** - **R02**

- MAR** : Magnetic Axial Ring
- P** : PCB
- C** : Cover
- Housing:** 30 : 30 mm
- Inner Diameter :** 15 mm standard others on request
- Output Channels**
1: A 4: AB+A' B'
2: AB 6: ABZ+A' B' Z'
3: ABZ

Electrical Connections:
R02 : radial 20 cm, shield not connected (standart)
M : Molex 501568-1107 connector *(mating with Molex 501330-1100)

PPR Options :
up to 65.536 any ppr

Supply Voltage and output circuit :
5V : 5V in / out
245V : 6-30V in 5V out
30V : 6-30V in / out

Magnetic Ring Part Number

FNC **MAR** **1** **32** **15**