

FNC WMS Measuring System



Features

- Industry 58 mm standart size, clamping flange
- Robust mechanical and electrical construction
- Protection to IP67
- Up to 25,000 PPR max.
- <300 kHz frequency

PPR Options :

1 to 128 - 25 - 50 - 100 - 200 - 250 - 300 - 360 - 400 - 500 - 512 - 600 - 720 - 800 - 900 - 1000 - 1024 - 1250 - 1440 - 2000 - 2048 - 2500 - 3000 - 3600 - 4000 - 4096 - 5000 - 6000 - 8192 - 10000 - 12500 - 16384 - 20000 - 25000

Technical data - electrical ratings

| | |
|--------------------------|--|
| Voltage supply | 4.75VDC to 30VDC 4.75VDC to 5.5VDC |
| Protection: | Output short circuit protection. Reverse polarity protection (except 5V version) |
| Consumption w/o load | ≤60 mA (24 VDC) |
| Resolution (steps/turn) | 1...25.000 |
| Reference signal | Zero pulse, width 90° 180°, 360° optional |
| Optoelectronic life time | 100.000 (min) |
| Output frequency | >200 kHz |
| Output signals | 90° shifted A and B, Z + inverted |
| Output circuit | Linedriver/RS422 Push-pull short-circuit proof |
| Interference immunity | DIN EN 61000-6-2 |
| Emitted interference | DIN EN 61000-6-4 |
| Approval | CE |

Technical data - mechanical design

| | |
|-------------------------|--|
| Dimensions (flange) | ø58 mm |
| Shaft loading | ≤140 N axial ≤240 N radial |
| Protection DIN EN 60529 | IP 67 |
| Operating speed | ≤10000 rpm |
| Starting torque | ≤0.025 Nm (IP 67) |
| Materials | Housing: Aluminium Flange: Aluminium Shaft : Stainless steel |
| Shaft diameter: | 6, 8, 10, 12 mm (other diameters on request) |
| Bearings lifetime: | 2x10 ⁹ rev. at 100% of full rated shaft load (minimum) |
| Operating temperature | -20...+85 °C |
| Storage temperature | -30 °C up to +90 °C |
| Weight approx. | 250 g |

Accessories

Connectors and cables

CRM2312 M23 12 poles female connector or see page 160

Mounting coupling

PF481010 plastic or see page 158

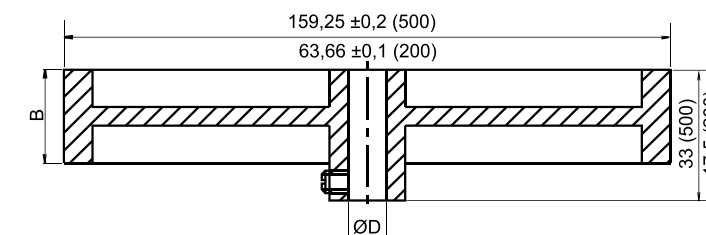
Mounting accessories

SF58B square flange or see page 156-157

Wheels view



Drawing

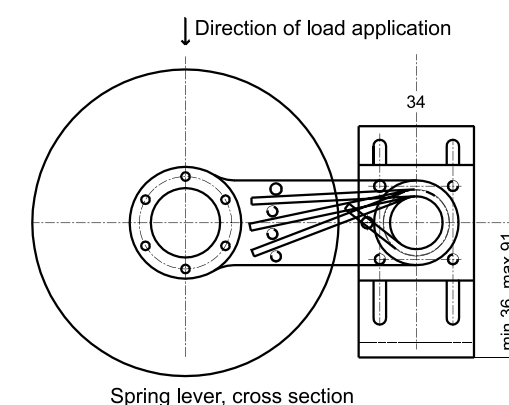


| Housing | Circumference | Hole D | Surface | Width | Order Code |
|-----------|---------------|--------|----------|-------|------------|
| Aluminium | 200 | 10 | Metal | 12 | FC200KR10 |
| Aluminium | 200 | 6 | Plastics | 12 | FC200KR06 |
| Aluminium | 500 | 10 | Metal | 25 | FC500KR10 |
| Aluminium | 500 | 6 | Plastics | 25 | FC500KR06 |

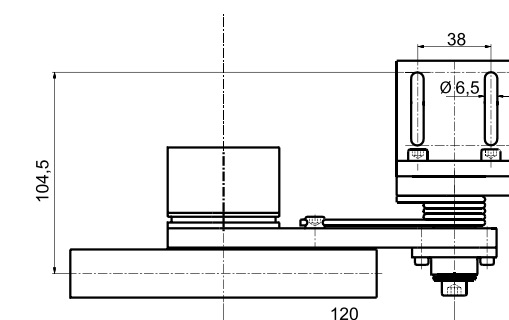
FNCSA100

Spring lever for length determination

- For encoder FNC 58B
- Variable installation from below, from above, horizontal, vertical



Spring lever, cross section



Order Codes :

- 1 - Encoder : FNC 58B 10630V1000-R2 (Different PPR can be selected)
- 2 - Spring Lever : FNC SA100
- 3 - Wheel : FC500KR10 or FC200KR10