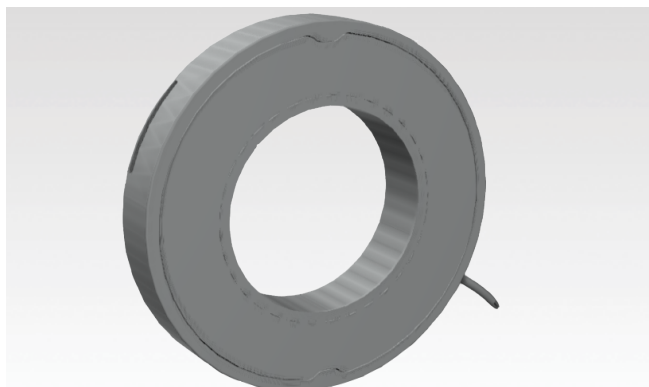


## FNC TASO 9050 Series



### Features

- SSI or BISS interface
- Optical sensing
- Resolution up to 21 bit
- 90 mm diameter body
- 50 mm diameter hollow shaft
- Hollow shaft production
- No friction bearingless design
- Very low weight
- Maximum operation speed 50.000 rpm

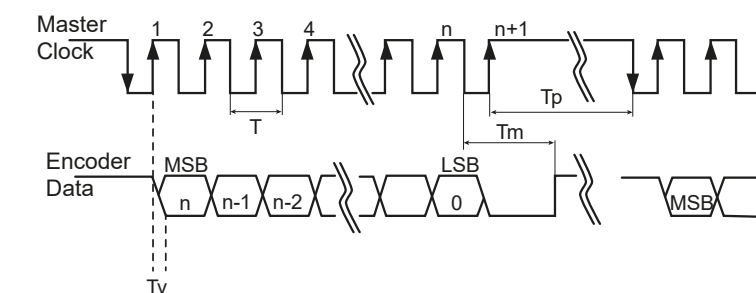
### Technical data - Mechanical Ratings

Dimensions	90 mm
Shaft Diameter	50 mm
Materials	Housing : Aluminium Shaft : Stainless Steel
Operating Tem.	-40 to +85 °C

### Technical data - Electrical Ratings

Supply Voltage	5V - 36 VDC $\pm$ 5%
Interface	SSI or BISS
Protection	Reverse voltage protection Over voltage protection
Resolution (steps/turn)	up to 21 bit
Absolute accuracy	$\leq \pm 0.02^\circ$ after fine calibration

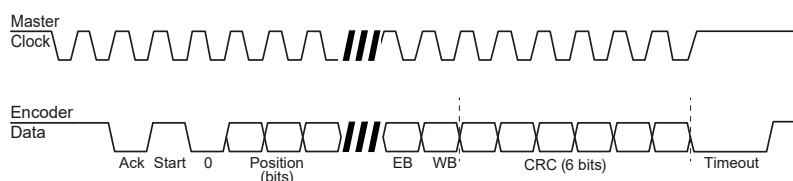
### Pulse Diagram SSI / BISS



#### Symbol Description

n	Total number of data bits
T	Clock Period
$f = 1/T$	Clock frequency
Tv	Bit update time
Tp	Pause time
Tm	Monoflop time

SSI DESCRIPTION

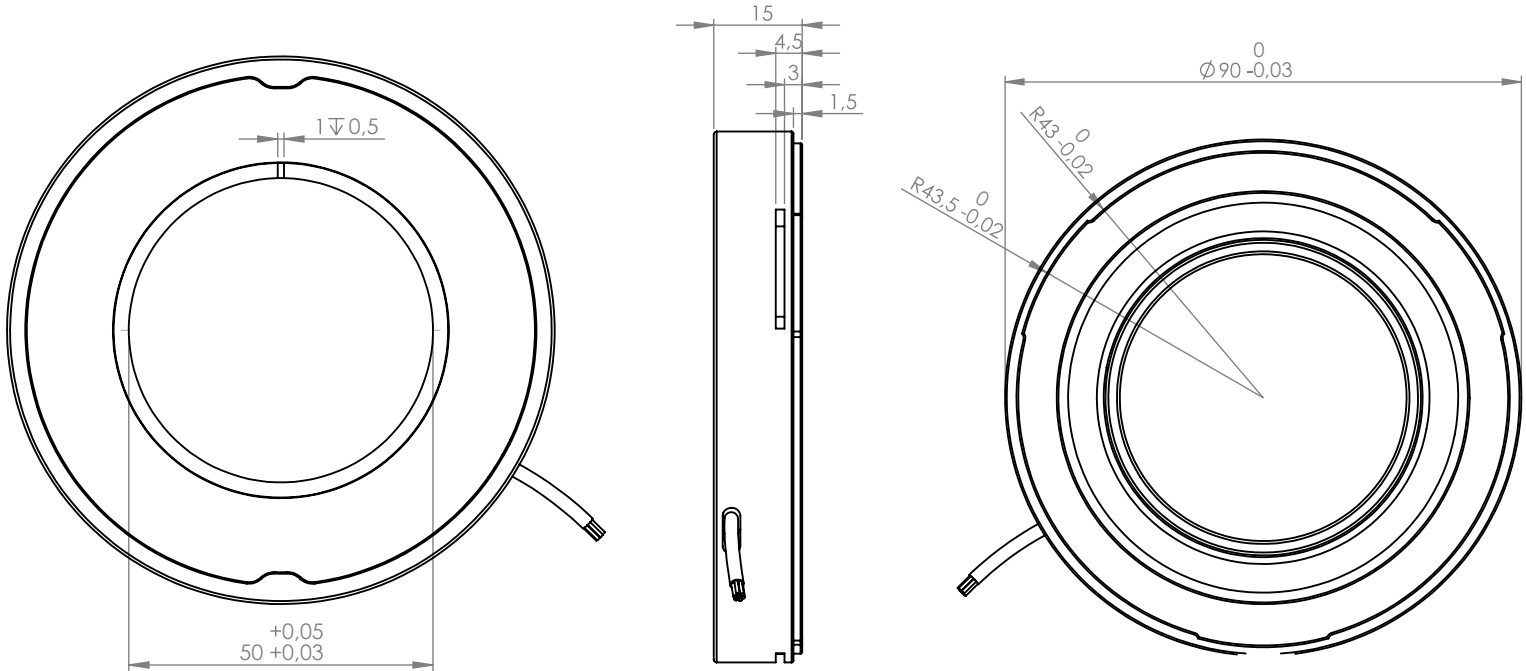


ACK	Absolute position one clock cycle
Start	Encoder signal for "start" data transmit
"0"	Start with follower
AP	Absolute position data
EB	Error bit
WB	Warning bit
CRC	Cyclic redundancy check
Timeout	Elapse between the sequential "start" request cycle's

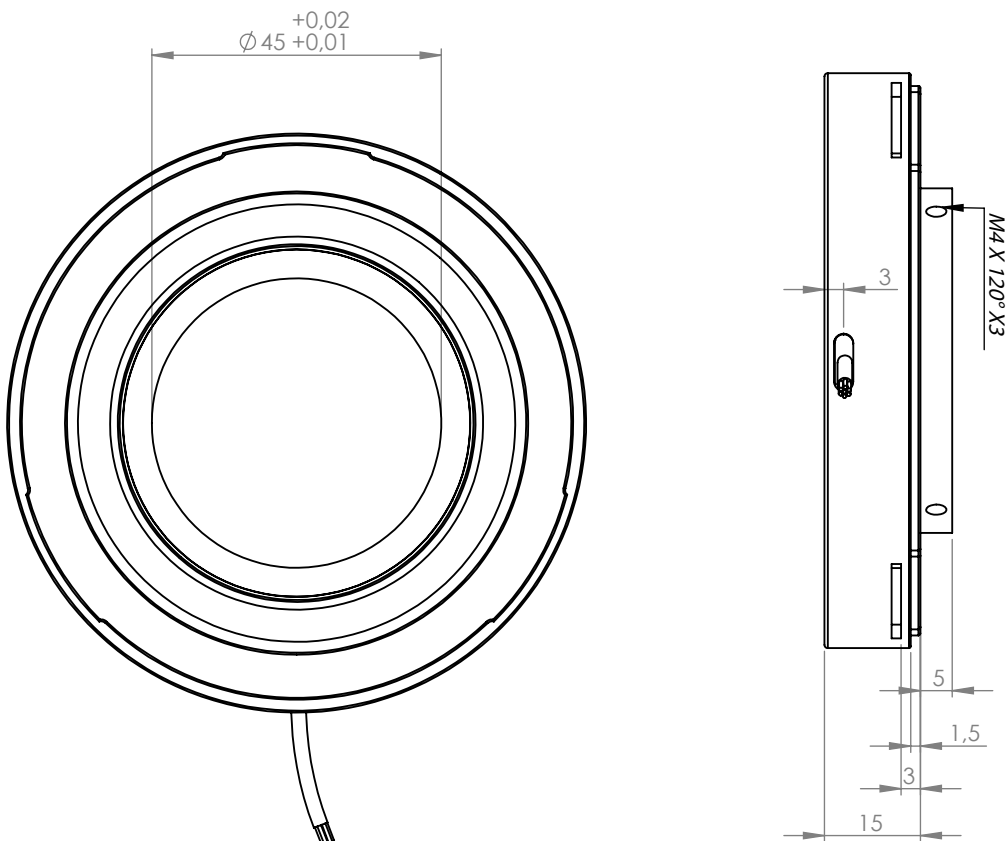
BISS DESCRIPTION

**Mechanical Dimensions**

**Side Fixing from housing (SF) - Rove (R) Fixing from shaft version**



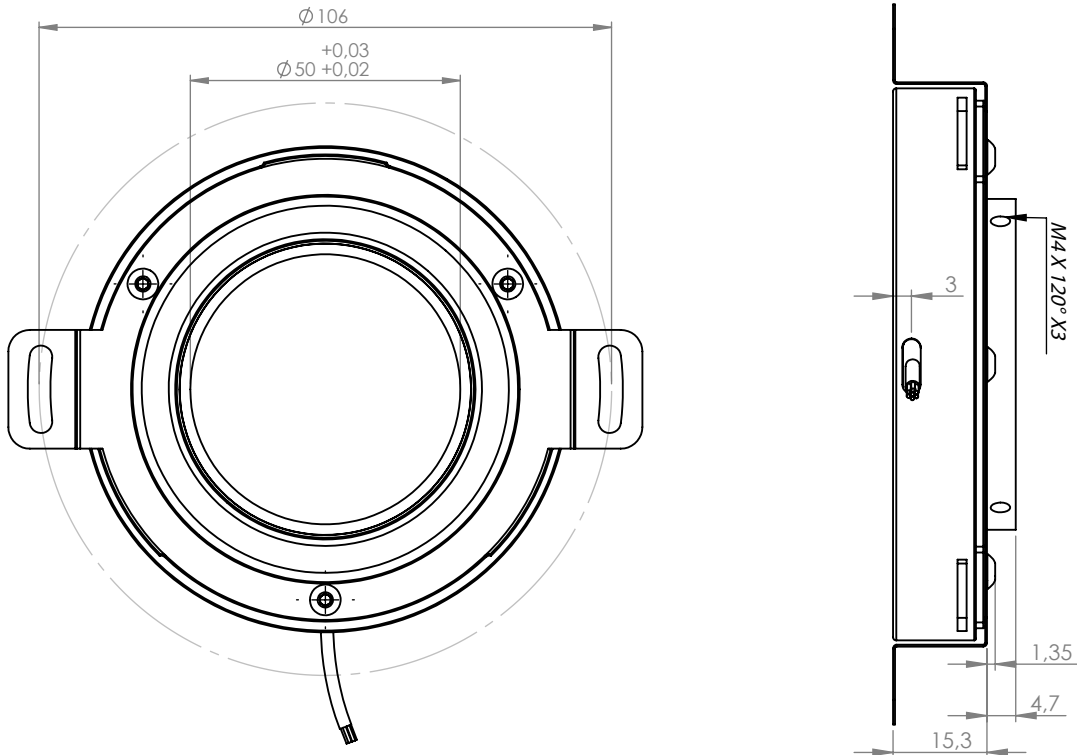
**Side Fixing (SF) from housing - Bearing Side Setscrew (BS)**



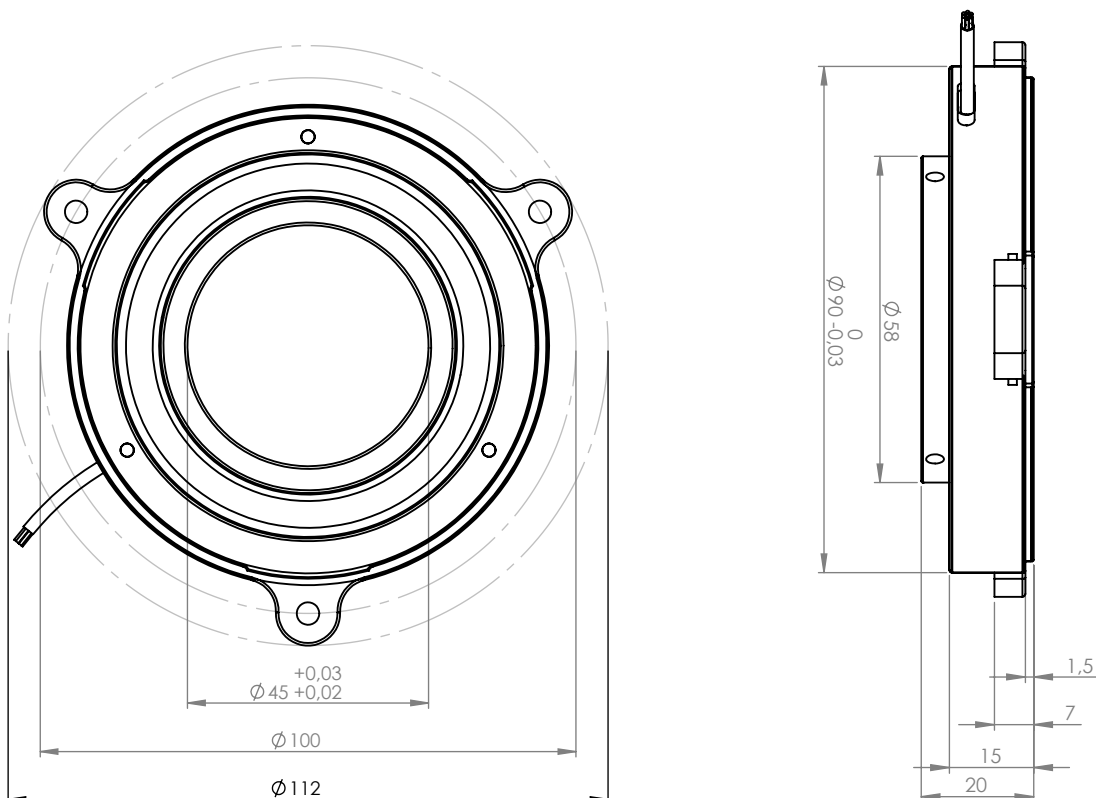
## FNC TASO 9050 Series

### Mechanical Dimensions







#### Spring (SP1) fixing from housing - Bearing Side Setscrew (BS)



#### Ear(K) fixing from housing - PCB Side Setscrew (PS) fixing from shaft version



### Cable Wiring

Function	Color	Renk
+5V	 Brown	Kahverengi
GND	 White	Beyaz
Clock+	 Blue	Mavi
Clock-	 Blue-Black	Mavi-Siyah
Data+	 Orange	Turuncu
Data-	 Orange-Black	Turuncu-Siyah

### Mechanical Dimensions

