

## FNC PR22 Series



### Features

- MEMS technology
- Small & compact housing
- Stainless steel housing
- Large temperature
- High reliability
- Gauge measuring
- Ceramic thick film integrated piezoresistive technology

### Application

- Pneumatic, hydraulic, medical equipment
- Air compressors
- Refrigeration systems
- Domestic small appliances
- Battery powered equipment

### Technical data- Electrical Ratings

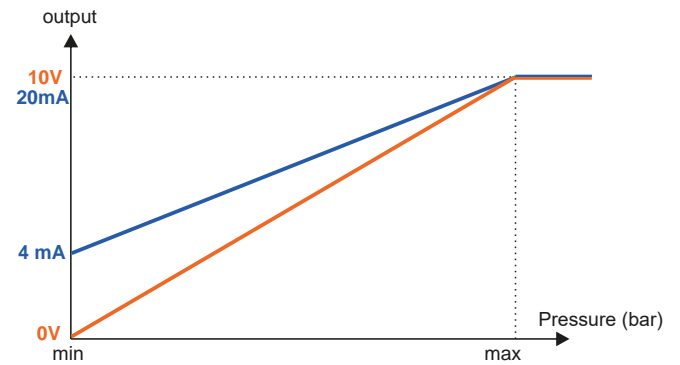
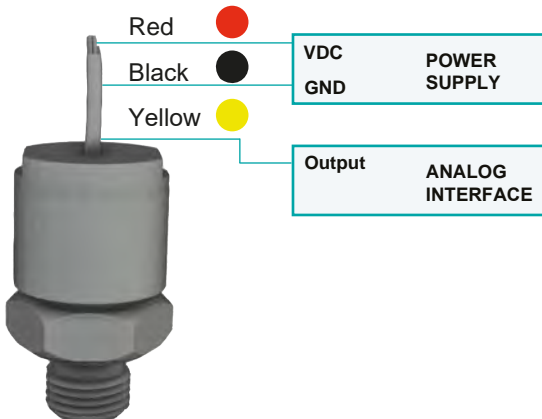
Measuring Range	0...2.5 to 0...600 bar
Output Signal	4...20mA, 0...5VDC 1...6VDC, 0...10VDC 0.5...4.5VDC ratiometer 1...6VDC, 0...10VDC
Accuracy type	$\leq \pm 0.3\%$ fs
Electrical Connection	1 meter cable
Precision	%1

### Technical data- Mechanical Ratings

Mechanical Connection	M12X1,5
Housing	Stainless Steel
Operating Temperature	-40°C ... +150°C

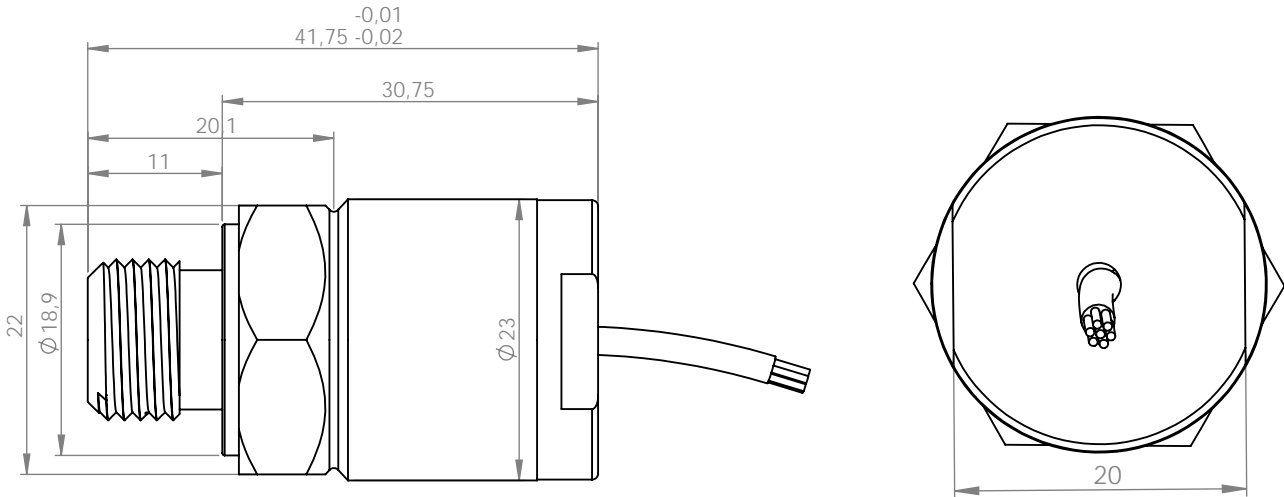
### Connection

Function	Color	Renk
+12...30 VDC	● Red	Kırmızı
GND	● Black	Siyah
Output	● Yellow	Sarı

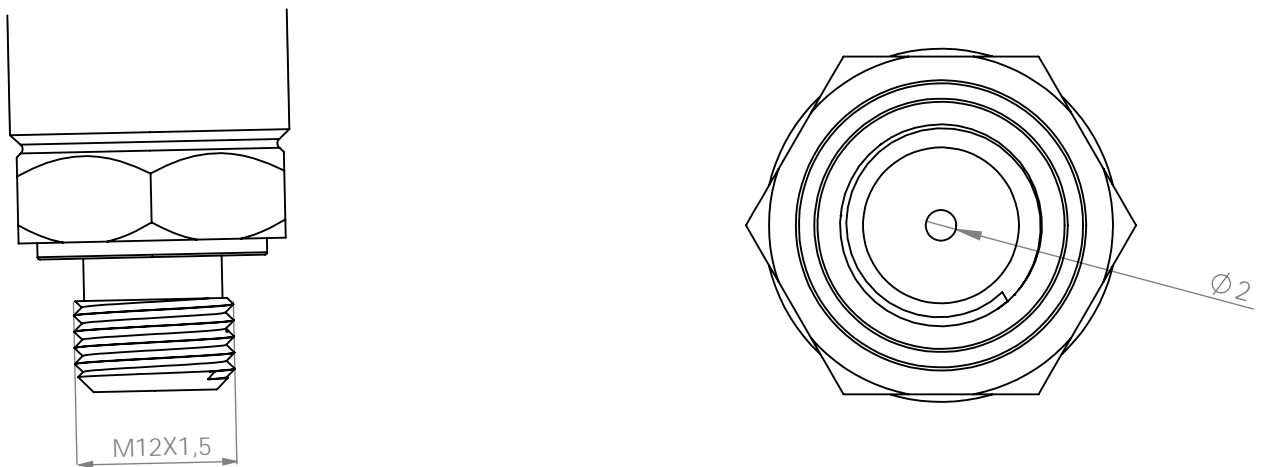


### FNC PR22 Absolute Series

#### Mechanical Dimensions



#### Mechanical Connection



# Pressure sensor

Cable Wiring, Part Numer

## FNC PR22 Absolute Series

### Measurement Range

Pressure Measurement	Burst Pressure
0 - 2 bar	5 bar
0 - 5 bar	12.5 bar
0 - 10 bar	25 bar
0 - 20 bar	50 bar
0 - 30 bar	70 bar
0 - 40 bar	100 bar
0 - 50 bar	125 bar
0 - 100 bar	200 bar
0 - 200 bar	400 bar
0 - 400 bar	600 bar
0 - 600 bar	800 bar

### Part Number

FNC PR G 22 0225 V015

G : Gauge

#### Pressure range

0002 : 0 - 2 bar  
0005 : 0 - 5 bar  
0010 : 0 - 10 bar  
0020 : 0 - 20 bar  
0030 : 0 - 30 bar  
0040 : 0 - 40 bar  
0050 : 0 - 50 bar  
0100 : 0 - 100 bar  
0200 : 0 - 200 bar  
0400 : 0 - 400 bar  
0600 : 0 - 600 bar

#### Signal output

A420 : 4 - 20mA  
V005 : 0 - 5VDC  
V015 : 1 - 6VDC  
V110 : 1 - 10VDC  
V545 : 0.5 - 4.5VDC (ratiometric)