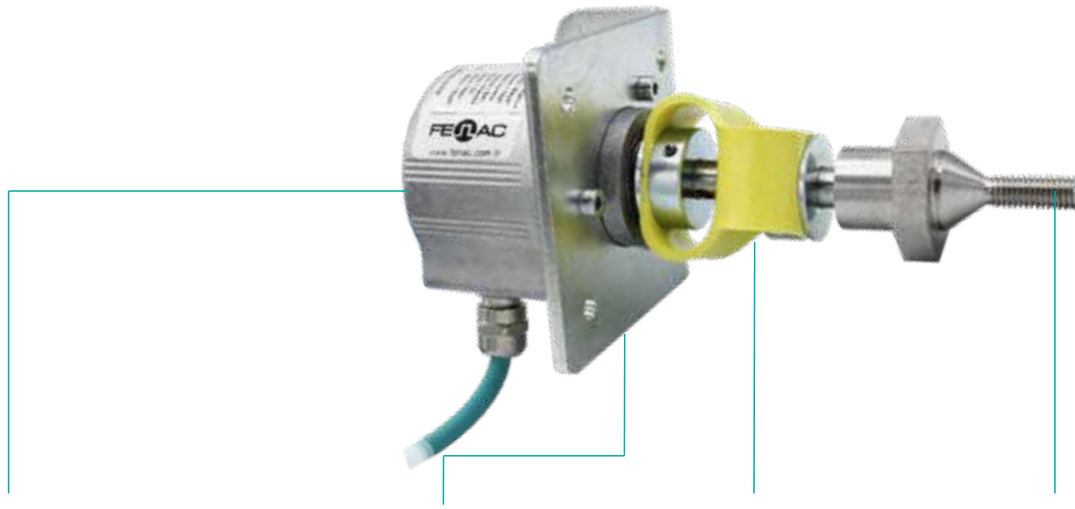


Accessories Mounting Kits

Installation kit for 58B Series Encoder

FNC 58B MK10M08 includes 4 parts. Encoder, Flange, Coupling (Paguflex or spring flex) & mounting shaft.



58B ENCODER

SQUARE FLANGE 58B

PAGUFLEX COUPLINGS

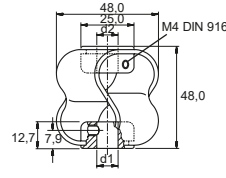
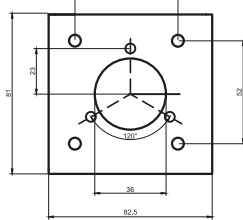
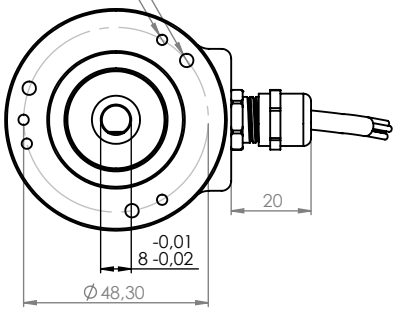
MOUNTING SHAFT



SA10M08L20



M4 X 120° X 3
M3 X 120° X 3



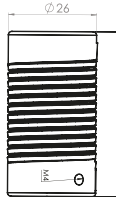
SA10M10L20



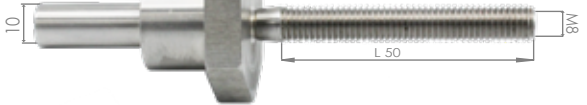
SPRING FLEX COUPLINGS



SA10M12L20



SA10M08L50



Kit Part Number

FNC

58

B

MK

10

M10